

Electric wire hoists 230 V / 50 Hz.

Product information



Lightweight, powerful, and fast electric wire hoist with upper and lower limit switches. The lower hook is equipped with a swivel. The hoist is equipped with a double brake system. The control cable is 7 m and the power cable 5 m long. Also available with a longer control cable.

Optional wireless remote control:

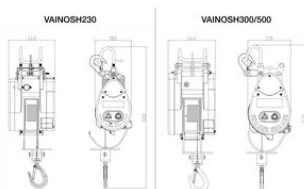
- range 50 m (unobstructed visibility)
- functions: lift, lower and emergency stop
- IP65
- operating temperature -10 - (+)70°C
- size 190 x 70 x 50 mm
- 4 x AA batteries
- Product code: **VAINOSHKAUKO**

[... Read more](#)

Features: IP54
Material: Steel
Marking: CE-marked
Finish: Painted, blue

Electric wire hoists 230 V / 50 Hz.

Blueprint



Technical data




Part code	WLL ton	Lifting height m	Rope Ø mm	Motor kW	Lifting speed m/min.	Duty rating % ED	Weight kg
5406VAINOSH230	0.23	30	5	1.3	19	35	21.5
5406VAINOSH300	0.3	60	5	1.3	12	35	28
5406VAINOSH500	0.5	30	7	1.8	12	35	28

DIMENSIONS

Product	Control cable m	Electric cable m	Body width mm	Body depth mm	Body + chain min height mm
VAINOSH230	7	5	240	180	660
VAINOSH300	7	5	240	210	670
VAINOSH500	7	5	240		

SPARE PART STEEL WIRE ROPES

Electric wire hoists 230 V / 50 Hz.

Wire rope dim.	Lenght m	End fitting	Wire rope product code	Suitable for hoist	
5 mm	30	Thimble + preventer	VAINOSH230VA	VAINOSH230	
5 mm	60	Thimble + preventer	VAINOSH300VA	VAINOSH300	
7 mm	30	Thimble + preventer	VAINOSH500VA	VAINOSH500	

SPARE PARTS

Spare part (product code)	Description	Suitable for hoist (product code/-s)	
KAPULA1	Pendant control for VAINOSH230/-300/-500	VAINOSH230, VAINOSH300, VAINOSH500	
VAINOSHKJOHT	Control cable 7 m, assembly Incl. cable and pendant control Plug in the other end	VAINOSH230, VAINOSH300, VAINOSH500	

Electric wire hoists 230 V / 50 Hz.

VAINOSHKAAP

Control cable extension, length 10 m | Plugs in both ends

VAINOSH230, VAINOSH300, VAINOSH500



VAINOSHVJOHT

Power cable 5 m | Plugs in both ends, different type

VAINOSH230, VAINOSH300, VAINOSH500



VAINOSH230AKO

Bottom hook set | Incl. fixing pins

VAINOSH230



VAINOSH230YKO

Top hook set

VAINOSH230



VAINOSH300AKO

Bottom hook set | Incl. fixing pins

VAINOSH300, VAINOSH500



Electric wire hoists 230 V / 50 Hz.

VAINOSH300YKO

Top hook set

VAINOSH300, VAINOSH500



VAINOSHKAUKO

Cordless remote control

VAINOSH230, VAINOSH300,
VAINOSH500

VAINOSH24

Bridge type regulator | Part no. 24

VAINOSH230, VAINOSH300,
VAINOSH500

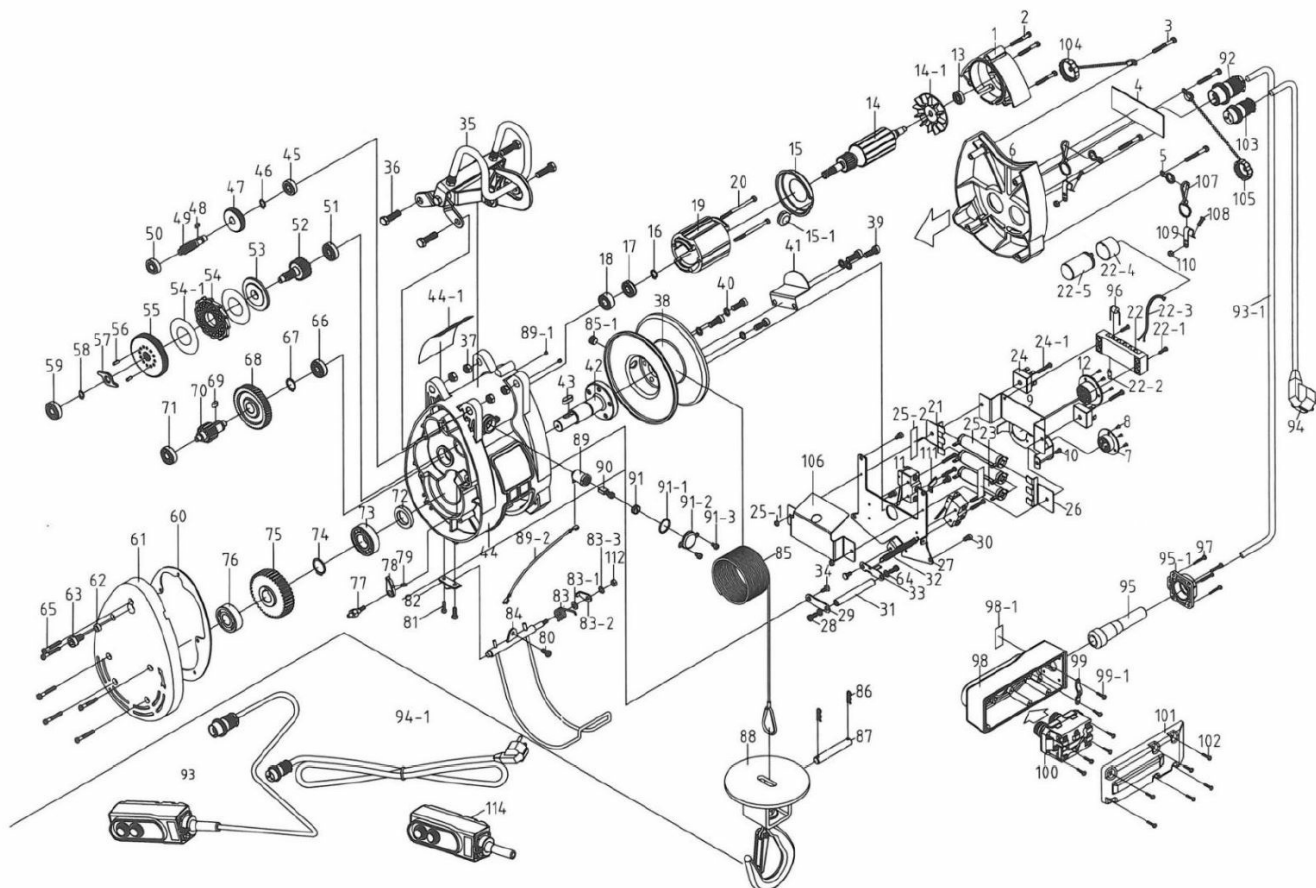
VAINOSH230PIST

Cable socket set | Part nos. 7 and
12, incl. fastenersVAINOSH230, VAINOSH300,
VAINOSH500

Also other spare parts available with a delivery time, ask our sales for more information

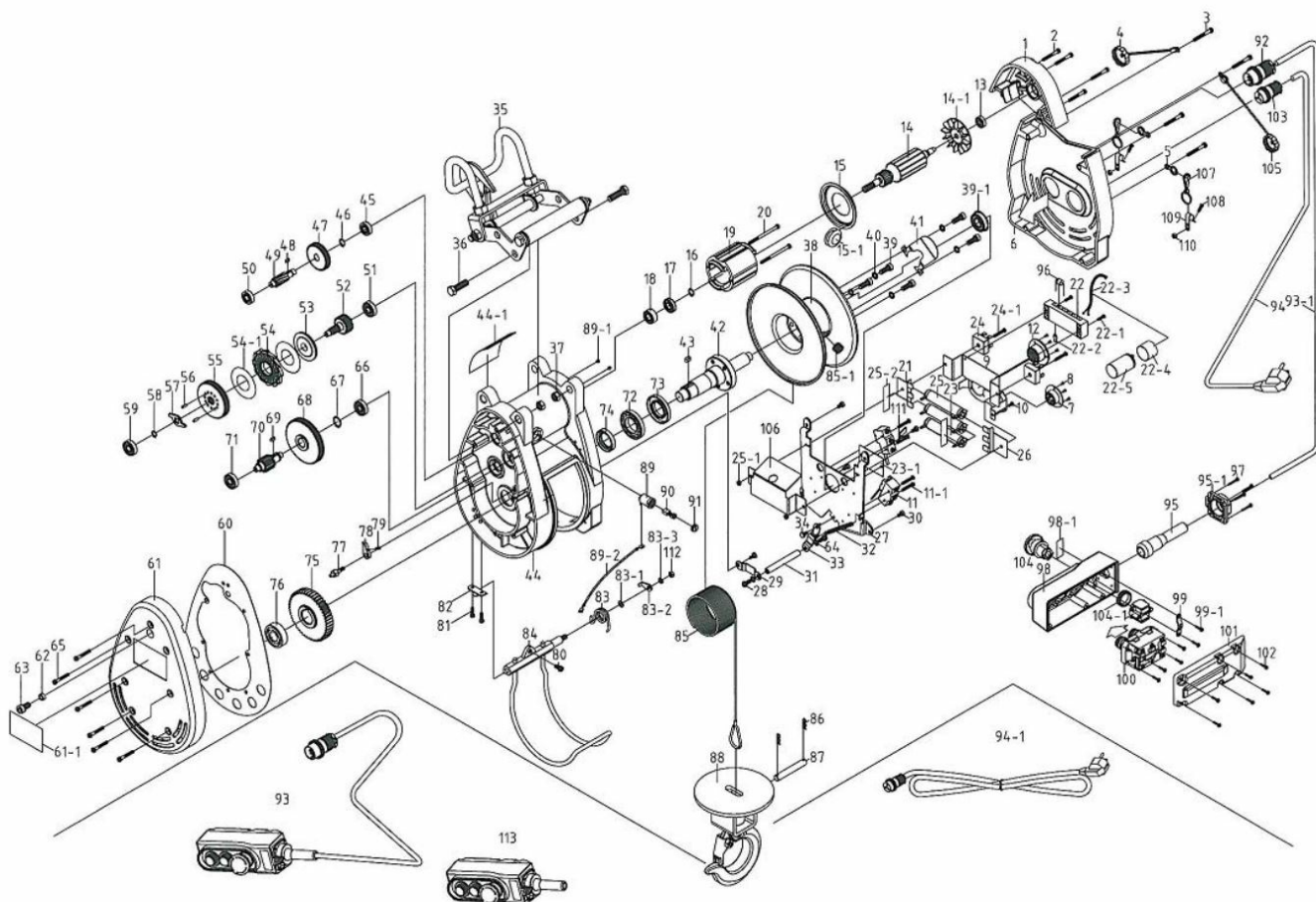
VAINOSH230

Electric wire hoists 230 V / 50 Hz.



VAINOSH300

Electric wire hoists 230 V / 50 Hz.



VAINOSH500