

Vertical Lifting Clamp IP10(J)

Product information



The IP10 series vertical lifting clamps are used for the lifting, turning, moving or vertical transfer of sheet, plates, or fabrications from horizontal to vertical and down to horizontal (180°) as needed. Usually used as a single point pick or when used with a spreader beam with multiple vertical drop lines. Available in a variety of models:

- IP10 - Standard clamp for materials with a surface hardness to 363HV10 (345 HB).
- IP10J - Larger jaw opening.
- IP10S - For use with Stainless Steel material.
- IP10H - For use with materials with a surface hardness to 472HV10 (450 HB).

Features:

- Available in capacities of .5 through 30 metric tons
- Higher Working Load Limits are available upon request.
- Wide variety of jaw openings available: 0 to 155 mm.
- Welded alloy steel body for strength and smaller size. Forged alloy components, where required.
- Individually Proof Tested to 2 times the Working Load Limit with certification.
- User manual and test certificate included with each clamp.
- Full 180° turning range for material transfer, turning or moving.
- Lock open, lock closed ability with latch for pretension on material and then release of material.
- For plate surface hardness till 279HV10, only 5% min. WLL is needed.
- Maintenance and repair kits are available.
- All sizes are RFID EQUIPPED.

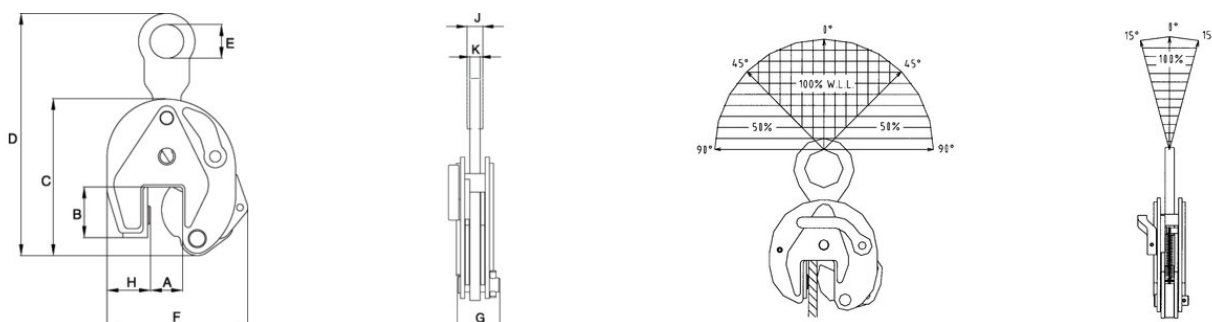
[... Read more](#)

Marking: According to standard, CE-marked
Standard: EN 13155

Safety factor: 4:1

Vertical Lifting Clamp IP10(J)

Blueprint



Technical data

Код товара	WLL ton	Jaw width mm	Model	A mm	B mm	C mm	D mm	E mm	F mm	G mm	H mm	K mm	J mm	Бес kg
502100050160360	0,5	0-16	IP10	0-16	44	130	203	40	115	42	28	11	-	1,8
502100050300360	0,5	15-30	IP10J	15-30	45	128	209	40	128	42	32	11	-	1,8
502100100200360	1	0-20	IP10	0-20	45	139	212	40	127	42	38	11	-	2,2
502100100400360	1	20-40	IP10J	20-40	55	151	207	40	141	42	41	11	-	2,5
502100200350360	2	0-35	IP10	0-35	78	201	330	70	188	64	55	16	-	7,6
502100300400360	3	0-40	IP10	0-40	100	253	434	75	222	78	60	20	-	13,8
502100300800360	3	40-80	IP10J	40-80	115	271	432	75	276	78	67	20	-	16,4
502100450400360	4,5	0-40	IP10	0-40	100	253	434	75	227	82	65	20	-	15
502100450800360	4,5	40-80	IP10J	40-80	115	271	432	75	281	82	72	20	-	18
502100600500360	6	0-50	IP10	0-50	126	302	517	80	292	84	95	20	40	22,8
502100601000360	6	50-100	IP10J	50-100	126	302	506	80	336	84	95	20	40	24,5
502100900500360	9	0-50	IP10	0-50	126	325	544	80	310	94	104	25	44	29,8
502100901000360	9	50-100	IP10J	50-100	126	325	542	80	360	94	105	25	44	33,1
502101200540360	12	0-54	IP10	0-54	160	392	574	80	433	121	137	25	41	50,4
502101201080360	12	54-108	IP10J	54-108	178	438	620	80	491	121	136	25	41	58
502101600640360	16	5-64	IP10	5-64	180	463	686	88	492	121	153	25	45	68
502101601280360	16	64-128	IP10J	64-128	208	521	734	88	562	121	160	25	45	80
502102250800360	22,5	5-80	IP10	5-80	222	554	803	110	565	153	186	25	49	108
502102251550360	22,5	80-155	IP10J	80-155	255	628	883	110	660	139	196	25	49	130
502103000800360	30	5-80	IP10	5-80	222	554	803	110	565	153	186	30	54	124
502103001550360	30	80-155	IP10J	80-155	255	628	887	110	660	153	196	30	54	152