

## Compact fall arrester, FA2010300A

---

### Product information

Works on 11 mm diameter anchorage line (Polyamide Kernmantle rope). Steel Karabiner FA 50 101 17 as an attachment element. Has a manual locked position to allow work on inclined roof, and also restraint positioning (EN358). Very simple opening-closing system.

... [Read more](#)

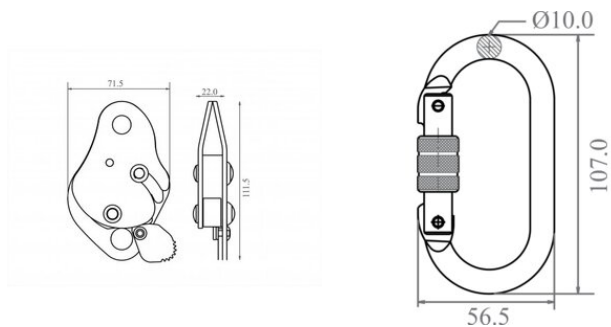


---

**Marking:** According to standard, CE-marked  
**Standard:** EN 353-2, EN 358

## Compact fall arrester, FA2010300A

### Blueprint



### Technical data

Код товара	Min. breaking force kN	Max. number of persons	Вес kg
823500000010	15	1	0,35