

## Vertical Lifting Clamp IPU10

### Product information



The IPU10 vertical lifting clamp is used for lifting, turning, moving or vertical transfer of sheet, plates, or fabrications from horizontal to vertical and down to horizontal (180°) as needed. The hinged hoisting eye ( a.k.a. universal eye ) allows for the clamp to place and lift the load from any direction, or with a multiple leg sling without side-loading the clamp. Available in a variety of models:

- IPU10 - Standard clamp for materials with a surface hardness to 363HV10 (345 HB).
- IPU10J - Larger jaw opening.
- IPU10S - For use with Stainless Steel material.
- IPU10H - For use with materials with a surface hardness to 472HV10 (450 HB).

#### Features:

- Available in capacities of 0.5 thru 30 metric tons
- Higher Working Load Limits are available upon request.
- Wide variety of jaw openings available: 0 to 155 mm.
- Welded alloy steel body for strength and smaller size. Forged alloy components, where required.
- Individually Proof Tested to 2 times the Working Load Limit with certification.
- User manual and test certificate included with each clamp.
- Full 180° turning range for material transfer, turning or moving.
- Lock open, lock closed ability with latch for pretension on material and then release of material.
- For use with materials with surface hardness to 279HV10, only 5% min WLL is needed.
- Maintenance and repair kits are available.
- All sizes are RFID EQUIPPED.

... [Read more](#)

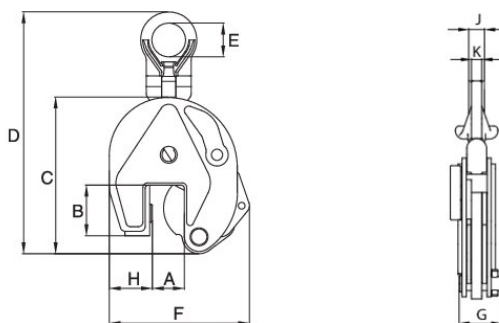
**Marking:** According to standard, CE-marked

**Standard:** EN 13155

**Safety factor:** 4:1

## Vertical Lifting Clamp IPU10

### Blueprint



### Technical data

Код товара	WLL ton	Jaw width mm	Model	B mm	C mm	D mm	E mm	F mm	G mm	H mm	J mm	K mm	Bec kg
502100050160350	0,5	0-16	IPU10	44	130	216	40	115	42	28	-	11	1,9
502100100200350	1	0-20	IPU10	45	139	225	40	127	42	38	-	11	2,4
502100200350350	2	0-35	IPU10	78	201	368	70	188	64	55	-	16	8,5
502100300400350	3	0-40	IPU10	100	253	436	75	222	78	60	-	20	14,8
502100450400350	4,5	0-40	IPU10	100	253	445	75	232	82	65	-	20	16
502100600500350	6	0-50	IPU10	126	302	525	80	292	84	95	44	20	24
502100900500350	9	0-50	IPU10	126	325	552	80	310	94	104	44	20	30,9
502101200540350	12	0-54	IPU10	160	392	616	80	433	121	137	41	25	57
502101600640350	16	5-64	IPU10	180	463	736	88	492	121	153	45	25	79
502102250800350	22,5	5-80	IPU10	222	554	863	110	565	139	186	49	25	126
502103000800350	30	5-80	IPU10	222	554	868	110	580	153	186	54	30	141