

# LIFTING CLAMPS



[Clamps for plate lifting »](#)

[Other clamp models »](#)

[Magnetic lifting clamps »](#)

[Steel wire rope / cable pulling clamps »](#)

## TERRIER CLAMPS FOR VERTICAL LIFTING

- for vertical lifting of steel plates
- paint coated
- safety factor 4 : 1
- other sizes also available
- note, lifting piece's weight must be minimum of 10 % of the maximum WLL!  
(250 kg clamp has no minimum)
- special materials have dedicated Terrier clamps, for more information contact our sales!

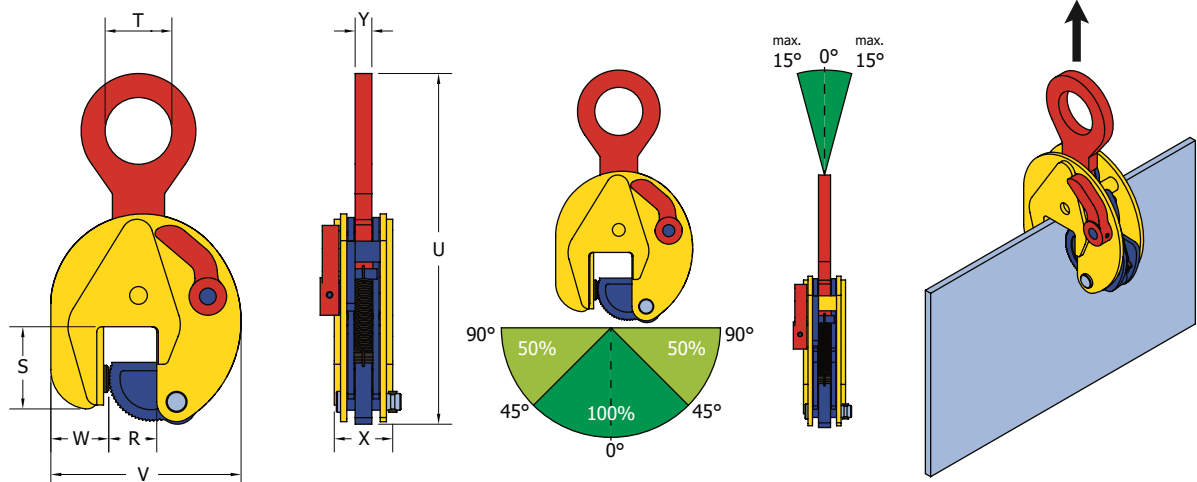


WLL kg	Grip area R mm	S mm	T mm	U mm	V mm	W mm	X mm	Y mm	Weight kg	Product code
250	0 – 13	53	30	196	109	30	37	10	1,9	LTTJP025
750	0 – 13	47	30	205	100	35	37	10	1,7	LTTS075
1000	0 – 25	55	45	265	142	38	47	15	3,5	LTTSE1
2000	0 – 35	80	65	335	185	55	56	17	7,0	LTTSE2
3000	0 – 35	80	65	335	185	55	56	17	7,0	LTTSE3
4000	0 – 45	85	70	430	230	60	77	20	16,0	*LTTSE45
6000	0 – 32	114	75	490	255	78	78	20	21,0	*LTTS6
7500	0 – 55	112	75	530	267	70	86	20	26,0	*LTTSE75
9000	0 – 55	112	75	530	267	70	86	20	27,0	*LTTS9
12000	0 – 52	148	85	617	270	100	94	44	37,0	*LTTS120
15000	0 – 76	209	86	760	373	135	105	50	70,0	*LTTS150
25000	5 – 85	248	100	880	465	145	140	66	149,0	*LTTS250

\*Items marked with an asterisk delivery time approx. 2 weeks



250 kg clamp does not have a minimum WLL due to a tightenable counter pad.



## TERRIER CLAMPS FOR VERTICAL LIFTING AND TURNING

- for vertical lifting and turning of steel plates
- paint coated
- safety factor 4 : 1
- other sizes also available
- note, lifting piece's weight must be minimum of 10 % of the maximum WLL!  
(250 kg clamp does not have a minimum)
- special materials have dedicated Terrier clamps, for more information contact our sales!

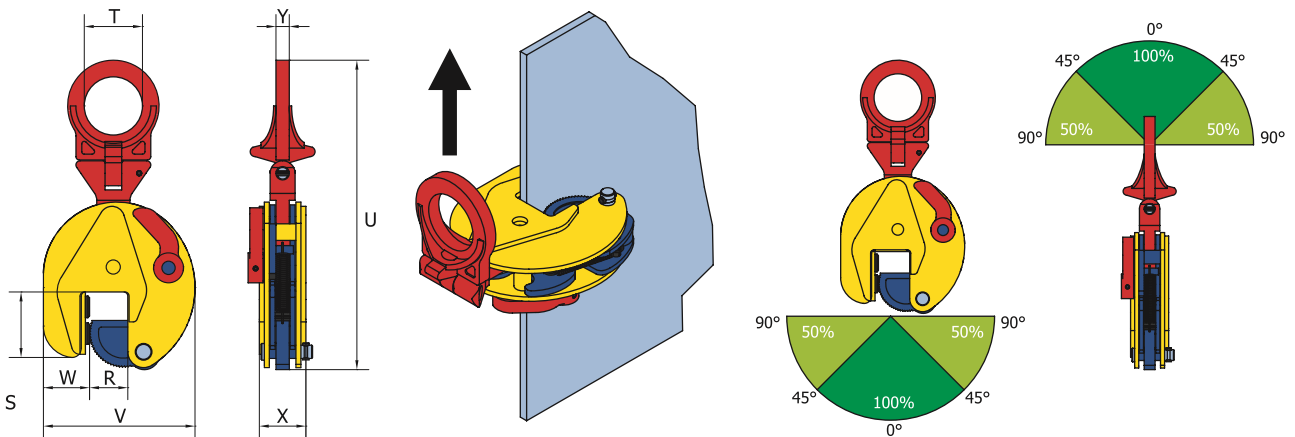


WLL kg	Grip area R mm	S mm	T mm	U mm	V mm	W mm	X mm	Y mm	Weight kg	Product code
250	0 – 13	53	30	196	109	30	37	10	2,0	LTTJPU025
750	0 – 13	47	30	230	100	25	37	10	1,8	LTTSU075
1000	0 – 25	55	48	295	142	38	47	14	3,8	LTTSEU1
2000	0 – 35	80	70	370	180	55	56	16	8,0	LTTSEU2
3000	0 – 35	80	70	370	185	55	56	16	8,0	LTTSEU3
4500	0 – 45	85	70	430	230	60	77	20	16,5	LTTSEU45
7500	0 – 55	112	78	565	267	70	86	32	28,0	*LTTSEU75

\*Items marked with an asterisk delivery time approx. 2 weeks



250 kg clamp does not have a minimum WLL due to a tightenable counter pad.



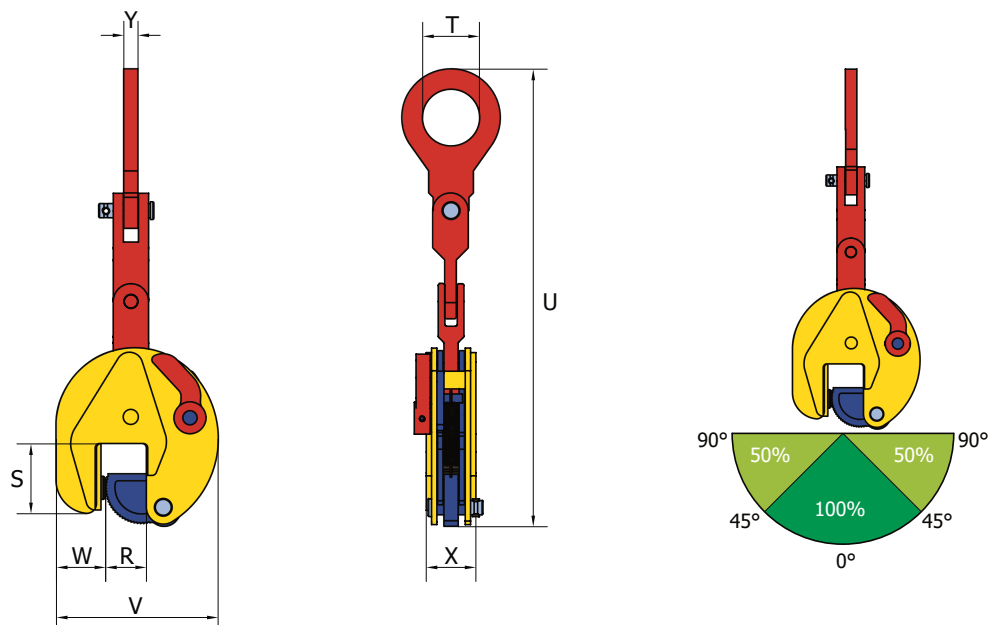
## TERRIER CLAMPS FOR VERTICAL LIFTING AND TURNING / HORIZONTAL LIFTING IN PAIRS

- for vertical lifting and turning of steel plates and horizontal lifting in pairs
- paint coated
- safety factor 4 : 1
- other sizes also available
- note, lifting piece's weight must be minimum of 10 % of the maximum WLL!
- special materials have dedicated Terrier clamps, for more information contact our sales!



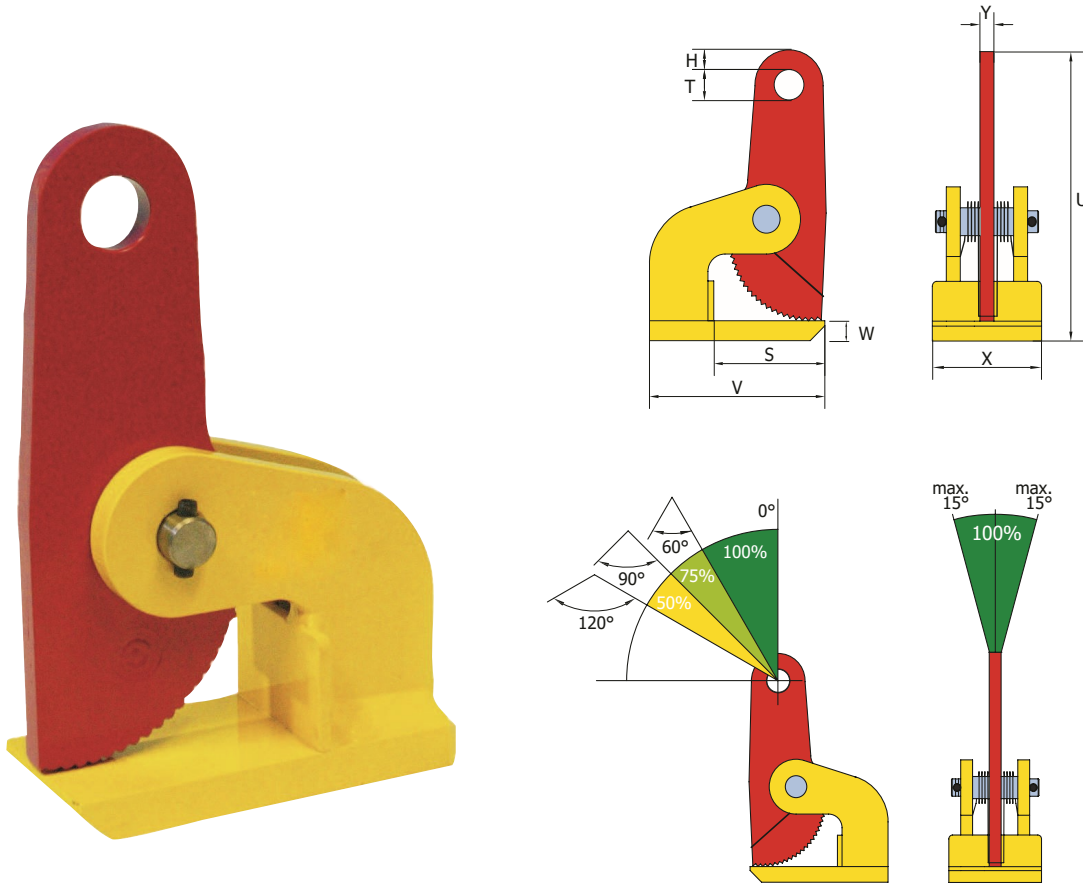
WLL kg	Grip area R mm	S mm	T mm	U mm	V mm	W mm	X mm	Y mm	Weight kg	Product code
750	0 – 13	47	30	310	100	33	37	10	2,0	LTTSMPO75
1000	0 – 25	55	45	405	142	38	47	15	4,5	LTTSEMP1
2000	0 – 35	80	65	515	165	55	56	17	8,0	LTTSEMP2
3000	0 – 35	80	65	515	165	55	56	17	8,0	LTTSEMP3
4500	0 – 45	85	70	655	230	60	77	20	19,0	LTTSEMP45
6000	0 – 32	114	75	760	225	78	78	20	24,0	*LTTSMPO6
7500	0 – 55	112	75	800	267	70	86	20	30,5	*LTTSEMP75
9000	0 – 55	112	75	800	267	70	86	20	31,0	*LTTSMPO9

\*Items marked with an asterisk delivery time approx. 2 weeks



## TERRIER CLAMPS FOR HORIZONTAL LIFTING IN PAIRS

- for horizontal lifting of steel plates (only one plate or tied bundle at a time)
- paint coated
- safety factor 4 : 1
- other sizes also available



WLL	Grip area	A	B	C	D	E	F	G	Weight	Product code
kg/ pair	mm	mm	mm	mm	mm	mm	mm	mm	kg	
1000	0 – 35	188	140	65	10	100	25	15	2,6	LTFHX1
2000	0 – 60	290	180	90	15	115	30,5	16	7,0	LTFHX2
4000	0 – 60	306	220	105	25	145	30,5	20	13,0	LTFHX4
6000	0 – 60	306	220	110	25	145	30,5	20	14,0	LTFHX6
2000	0 - 100	380	180	90	15	120	30,5	15	9,2	LTFHSX2
4000	0 - 100	415	220	105	25	145	30,5	20	15,0	LTFHSX4
6000	0 - 100	415	220	120	25	145	30,5	20	16,5	*LTFHSX6
8000	0 - 100	430	225	120	35	135	30,5	30	21,0	*LTFHSX8
10000	0 - 100	430	225	120	35	135	30,5	30	22,0	*LTFHSX100

\*Items marked with an asterisk delivery time approx. 2 weeks

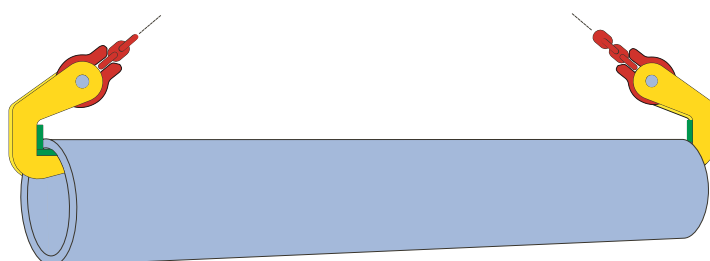
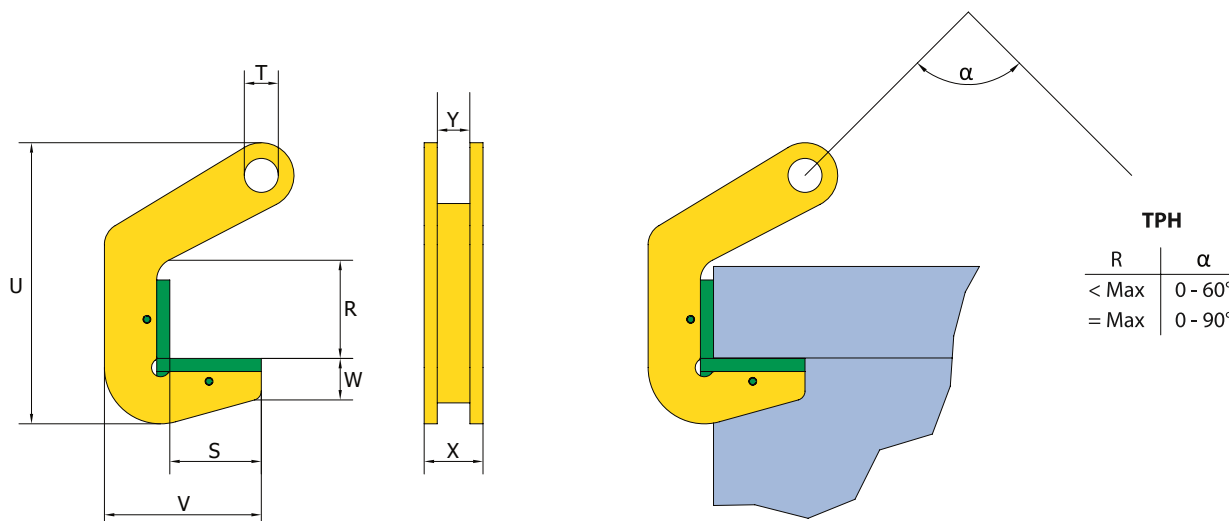
## TERRIER CLAMPS FOR PIPES

- suitable for all kinds of pipes
- paint coated
- equipped with polyurethane covers which protect the pipe heads
- safety factor 4 : 1



WLL	Max. wall of pipe R	A	B	C	D	E	T	Weight	Product code
kg/pair	mm	mm	mm	mm	mm	mm	mm	kg	
1500	40	120	32	185	70	41	15	1,6	PTTPH15
3000	40	120	32	185	70	41	15	1,6	PTTPH30
4000	50	120	32	195	70	41	26	3,0	PTTPH40
6000	50	120	32	195	70	41	26	3,3	PTTPH60
8000	70	120	32	215	70	45	26	3,6	PTTPH80
10000	70	120	32	215	70	85	26	5,0	PTTPH100

Delivery time approx. 2 weeks.



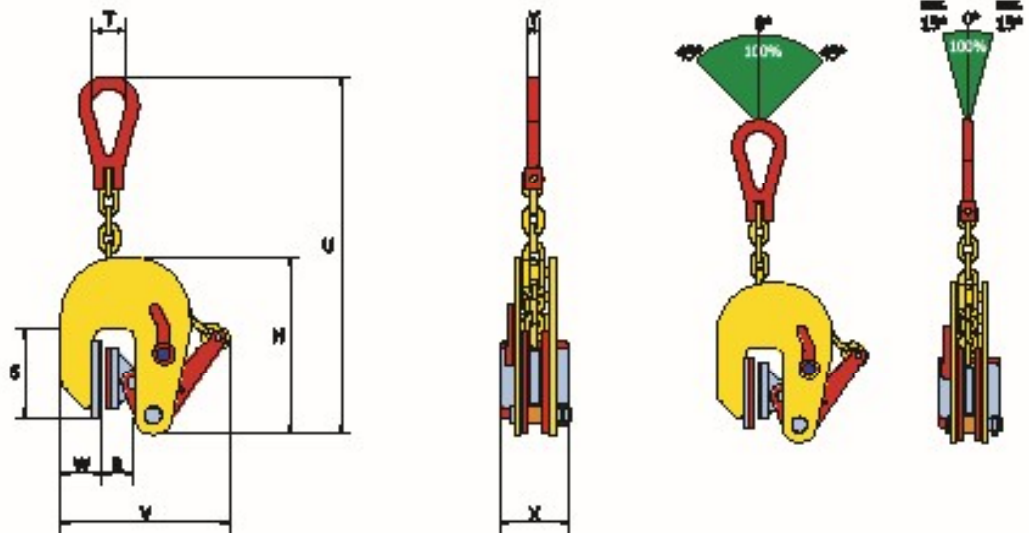
## TERRIER CLAMPS FOR VERTICAL LIFTING OF STAINLESS STEEL PLATES



- for stainless steel plates and e.g. marble plates
- leaves no marks on the lifted plate
- automatic locking to a safety position when clamp is lowered to the side of the plate
- paint coated
- lifting possible between angles 0-45° (not for horizontal lifting)
- safety factor 4 : 1

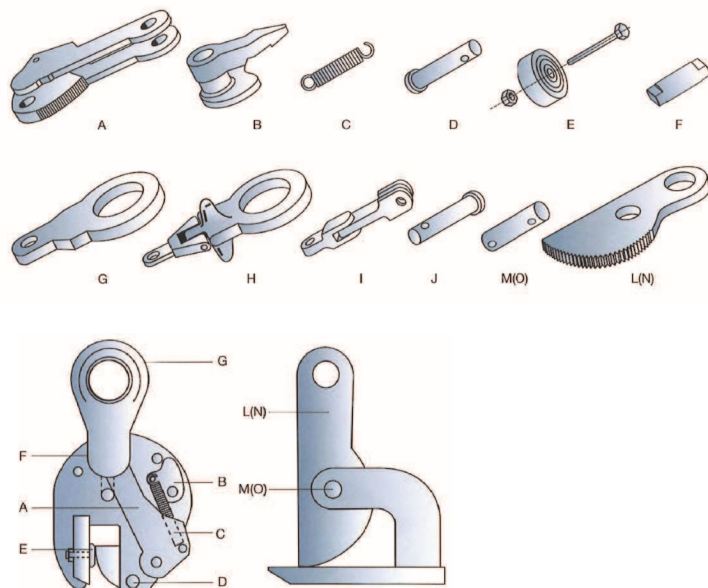
WLL kg	Grip area R mm	H mm	S mm	T mm	U mm	V mm	W mm	X mm	Y mm	Weight kg	Product code
500	0 - 20	205	102	40	462	224	48	80	14	5,3	LTNMK05
500	17 - 37	205	102	40	462	241	48	80	14	5,5	*LTNMKE05
1000	0 - 30	232	105	40	470	282	46	80	14	6,5	LTNMK1
1500	0 - 40	232	105	40	470	282	46	80	14	7,2	*LTNMK15
2000	0- 50	362	124	50	704	408	63	80	18	14,0	*LTNMK2
3000	0 - 60	362	124	50	704	408	63	80	18	15,0	*LTNMK3

\*Items marked with an asterisk delivery time approx. 2 weeks



## SPARE PARTS FOR TERRIER CLAMPS

- A. Moving jaw
- B. Locking lever
- C. Spring
- D. Jaw pin
- E. Counter pad
- F. Lifting eye pin
- G. Lifting eye TS, STS, MPX
- H. Lifting eye TSU, STEU
- I. Pivot arm TSMP, STSMPX
- J. Pin for pivot arm, type MP
- L. Jaw FHX
- M. Jaw pin FHX
- N. Jaw FHSX
- O. Jaw pin FHSX

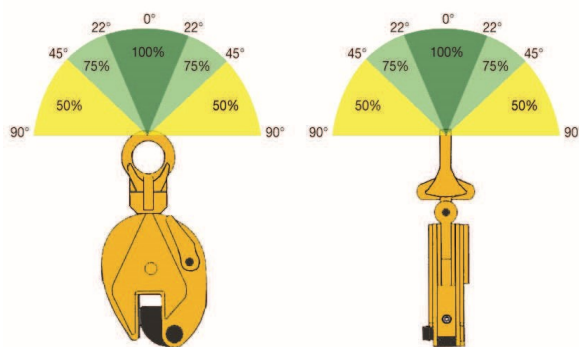
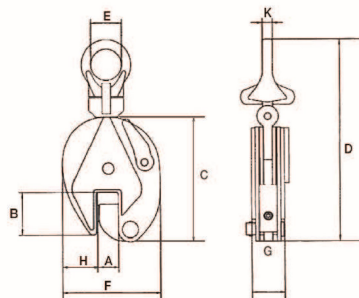


## CLAMPS FOR VERTICAL LIFTING AND TURNING

- for vertical lifting and turning of steel plates
- paint coated
- safety factor 4 : 1
- note, lifting piece's weight must be minimum of 20 % of the maximum WLL!



Individual test report with each clamp



WLL kg	Min. WLL kg	Grip area mm	A mm	B mm	C mm	D mm	E mm	F mm	G mm	H mm	K mm	Test load kN	Weight kg	Product code
800	160	0 - 15	17	44	128	212	30	103	36	35	10	7,35	1,9	LTABT08
1000	200	0 - 20	22	63	167	295	48	138	50	51	12	14,7	4,5	LTABT10
2000	400	0 - 25	27	76	202	370	60	164	52	56	16	29,4	7,5	LTABT20
3000	600	0 - 30	32	85	237	418	65	193	78	59	20	44,1	14,8	LTABT30
5000	1000	0 - 50	55	90	262	480	76	232	90	59	20	73,5	23	LTABT45
8000	1600	0 - 45	45	112	330	600	85	263	100	77	22	117,6	37	LTABT80

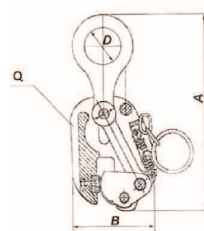
## CLAMPS WITH LOCKING RING FOR VERTICAL LIFTING

- for vertical lifting of steel plates
- locking and opening by pulling the ring
- paint coated
- safety factor 4 : 1
- note, lifting piece's weight must be minimum of 10 % of the maximum WLL!



WLL kg	Grip area mm	A mm	B mm	Q mm	D mm	Weight kg	Product code
1000	0 - 20	320	140	60	50	4,4	LTABT10RE
2000	0 - 25	320	150	60	50	4,7	LTABT20RE
3000	0 - 30	340	180	70	40	10,7	LTABT30RE

locking and opening  
by pulling the ring



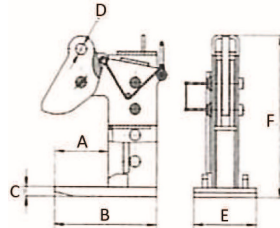


### CLAMPS FOR HORIZONTAL LIFTING IN PAIRS

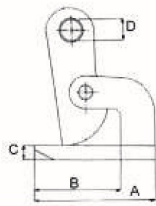


- for horizontal lifting of tied steel plate bundles
- adjustable grip area
- paint coated
- safety factor 4 : 1

WLL	Grip area	A	B	C	D	E	F	Weight	Product code
kg / pair	mm	mm	mm	mm	mm	mm	mm	kg	
8000	40 – 240	180	300	60	40	200	520	40	LTABT60N



### CLAMPS FOR HORIZONTAL LIFTING IN PAIRS



- for horizontal lifting of steel plates (only one plate at a time)
- paint coated
- safety factor 4 : 1

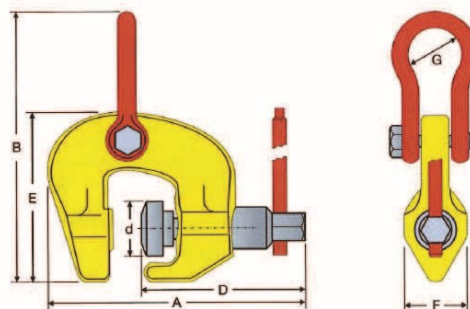
WLL / pair	Grip area	A	B	C	D	Weight	Product code
kg	mm	mm	mm	mm	mm	kg	
1500	0 – 50	127	90	15	30	4,3	LTVABT1500
2000	0 – 100	178	114	15	30	5,5	LTVABT2000
3000	0 – 50	220	120	30	36	7,7	LTVABT3000
5000	0 - 55	185	-	58	-	7,5	LTVABT5000

### SCREW CLAMPS FOR LIFTING IN DIFFERENT POSITIONS

- suitable for steel plates and items of various shape
- paint coated
- safety factor 4 : 1



WLL	Grip area	Z	U	D	d	E	F	G	Weight	Product code
kg	mm	mm	mm	mm	mm	mm	mm	mm	kg	
500	0 – 28	127	116	89	26	75	30	17	0,8	LTTSCC05
750	0 – 22	167	201	120	42	125	46	38	3,0	LTTSCC075
1500	0 – 32	187	226	135	42	142	46	45	4,0	LTTSCC15
3000	0 - 50	223	268	165	49	165	55	50	7,0	LTTSCC3
6000	0 - 75	285	364	215	63	210	70	80	18,0	LTTSCC6



## ROUND PIPE CLAMPS



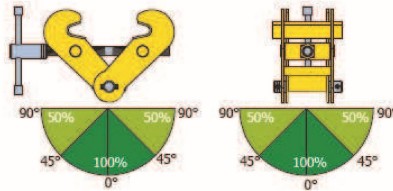
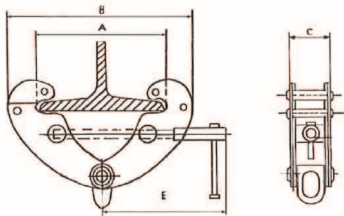
- suitable for pipes, bars, etc. that are made of different kinds of materials
- for short pieces individually, for long pieces in pairs with a lifting beam
- paint coated
- safety factor 4 : 1

WLL	Grip area diameter	Weight	Product code
kg	mm	kg	
2000	80 - 130	16,0	TARPA20
3000	120 - 220	32,0	TARPA30
5000	200 - 320	104,0	TARPA50

Round pipe clamps available also for larger diameters.

## BEAM CLAMPS

- can be used e.g. to attach a hoist to an I- or T-beam
- can also be used for lifting
- paint coated
- safety factor 4 : 1



WLL	A	B	C	E	Weight	Product code
kg	mm	mm	mm	mm	kg	
1000	75-230	180-375	85	220	4,0	TARPAL10
2000	75-230	180-375	93	220	5,0	TARPAL20
3000	80-320	220-498	120	271	9,5	TARPAL30
5000	90-355	240-520	111	258	11,0	TARPAL50
10000	80-350	250-520	120	280	16,0	TARPAL100

## CONCRETE PIPE CLAMPS

- clamps for concrete pipes
- 2- or 3-leg
- two models: -standard models I and P for pipes without a rubber sealing  
-model K for pipes with a rubber sealing, with high jaws
- paint coated
- chain leg length 1,5 m
- safety factor 4 : 1

WLL	Grip area	L	Model	No. of legs	Suitability	Weight	Product code
kg	mm	mm				approx. kg	
2000	60-120	245	normal jaw (P)	2-leg	normal pipe	25	KRT2P
2000	80-170	235	wide jaw (I)	2-leg	normal pipe	35	KRT2I
2000	60-120	345	high jaw (K)	2-leg	pipe with rubber seal	35	KRT2K
3000	60-120	245	normal jaw (P)	3-leg	normal pipe	37	KRT3P
3000	80-170	235	wide jaw (I)	3-leg	normal pipe	46	KRT3I
3000	60-120	345	high jaw (K)	3-leg	pipe with rubber seal	45	KRT3K

Also other sizes available for individual order!

### JAW MODELS



**Normal**  
P-model, 60-120 mm  
Product code: KRTLS



**Wide**  
I-model, 80-170 mm  
Product code: KRTLL



**High**  
K-model, 60-120 mm  
Product code: KRTLPL



### EK-PIPE LIFTER ALSO AVAILABLE

Used for e.g. lifting concrete pipes. Seven different sizes between 500 - 8000 kg and lengths 1 - 3 m. Ask more from our sales.



## CONCRETE PIPE CLAMP IN A CARRY-ON-BAG

WLL	Grip area	L-size	Model	No. of legs	Suitability	Weight	Product code
kg	mm	mm				approx. kg	
2000	60-120	245	normal jaw (P)	2-leg	normal pipe	25	KRT2KVAL

## CABLE REEL CLAMPS

without swivel



with swivel



- for lifting and handling cable reels
- by using the reel hole, a clamp equipped with a ball bearing swivel can also be used for pulling the cable
- paint coated
- safety factor 4 : 1

WLL	Reel hole diameter min. / max.	Type	A	Weight	Product code
kg	mm		mm	kg	
1500	40 / 90	without swivel	190	1,5	VITAR15
1500	40 / 90	with swivel	190	2,0	VITAR15L
3000	50 / 130	without swivel	225	3,6	VITAR3
3000	50 / 130	with swivel	225	4,7	VITAR3L

## CABLE REEL SCISSOR CLAMPS



- for lifting and handling cable reels
- by using the reel hole, a clamp equipped with a ball bearing swivel can also be used for pulling the cable
- paint coated
- safety factor 4 : 1

WLL	Reel hole diameter min. / max.	Type	Weight	Product code
kg	mm		kg	
3000	50 / 130	without swivel	9,0	SATAR3
3000	50 / 130	with ball bearing swivel	10,0	SATAR3L

## CLAMP FOR PULLING PALLETS

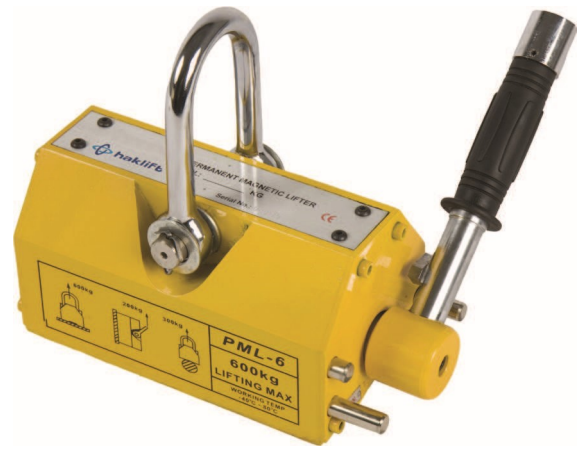
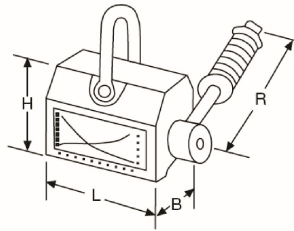


- for pulling pallets from e.g. a container
- paint coated
- not for lifting

Max. load	Grip area	Weight	Product code
kg	mm	approx. kg	
1000	30 - 100	8	TARLAVA1

## MAGNETIC LIFTING CLAMPS 100 - 2000 KG

- permanent magnetic clamps for lifting plates, pipes and round steel bars
- small and easy to use
- five sizes
- due to the articulated lifting eye, improved durability and stability on the item to be lifted
- rubber coated handle is comfortable to use
- operating temperature -40 °C - (+) 80 °C
- safety factor of 100 - 300 kg clamps 3,5 : 1 and of 600 - 2000 kg clamps 3 : 1
- EN 13155



WLL with plates kg	WLL with round objects kg	B mm	H mm	L mm	R mm	Weight kg	Product code
100	30	62	67	92	126	3,0	MAGPML100
300	100	92	88	158	150	10,0	MAGPML300
600	200	122	113	228	186	24,0	MAGPML600
1000	300	176	158	258	282	37,0	MAGPML1000
2000	600	234	206	378	374	85,0	MAGPML2000

## MAGNETIC LIFTING CLAMP, MANUALLY OPERATED



- handy permanent magnetic clamp
- release pin in the centre of the clamp which is activated by pressing the handle to the other direction
- perfect for carrying and transferring steel plates and pieces

WLL kg	Width mm	Depth mm	Height mm	Weight kg	Product code
50	100	125	270	2,0	MAG50

## SUCTION LIFTERS



- two models
- adhesion capacity is dependent on the cleanliness and smoothness of the surface
- aluminium body
- suitable for glass, aluminium, plastic, acryl etc. plates

WLL kg	Type	Product code
40	1 suction cup	IMUTAR140
80	2 suction cups	IMUTAR280

