

DRUM HANDLING, LIFTING BEAMS, CRANE SCALES AND FORKLIFT ACCESSORIES



[Drum clamps and slings »](#)

[Crane beams »](#)

[Crane scales »](#)

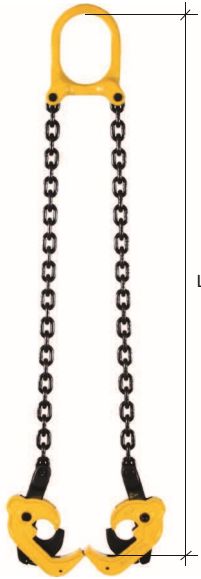
[Load indicators »](#)

[Forklift accessories »](#)

[Snow chains »](#)



HARU DRUM VERTICAL LIFTER



- lifting vertically
- clamps are fixed to a 2-leg chain sling
- suitable for barrels of various sizes
- paint coated
- safety factor 4 : 1

WLL	Type	L-size	Weight	Product code
kg		mm	approx. kg	
1000	For 1 drum	690	3	TYNRAHARU1

DRUM HORIZONTAL LIFTERS



- lifting only horizontally
- adjusts automatically for different barrel sizes
- paint coated
- safety factor 4 : 1

WLL	Type	Weight	Product code
kg		approx. kg	
1000	For 1 drum	5	TYRA01
2000	For 2 drums	10	TYRA02

BARREL CLAMP FOR VERTICAL LIFTING



- lifting only vertically
- suitable for barrels of various sizes
- paint coated
- safety factor 4 : 1

WLL	Type	Weight	Product code
kg		approx. kg	
600	For 1 drum	7	TYTAR600

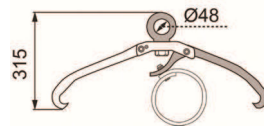
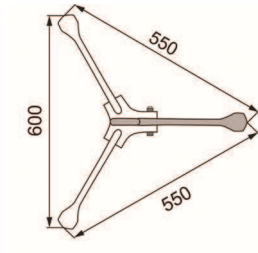
DRUM GRAB

NEW



- for lifting 200 l drums
- quick and easy to use
- patented product
- suitable for closed or open steel and plastic drums
- drum grab will automatically keep its grip to the drum between lifts
- paint coated
- safety factor 5 : 1

WLL kg	Type	Jaw gap mm	Weight kg	Product code
1000	For 1 drum	570 - 610	8,0	TYNTAR1000



VERTICAL DRUM LIFTER

NEW



- for lifting and turning of 200 l standard drums
- easy and fast attachment with a locking latch
- can be locked into vertical and horizontal position

WLL kg	Weight kg	Product code
360	20	TYNNOSTIN

FORKLIFT DRUM CARRIER



- for a 200 l standard drum
- simple and quick attachment
- drum turning also possible from within a forklift
- paint coated

WLL kg	Weight approx. kg	Product code
365	70	TYNN365TRU

FORKLIFT DRUM CARRIER



- simple and quick attachment
- for handling steel barrels
- paint coated

WLL	Weight	Product code
kg	approx. kg	
680	57	TYNNTRU

MOBILE DRUM CARRIER

- for a 200 l standard drum
- easy and quick to use
- paint coated
- with PU-wheels

WLL	Weight	Product code
kg	approx. kg	
250	45	TYVA250



Drum can be moved in a vertical or horizontal position.

BARREL BASE

- for storing and handling drums
- solid steel structure



WLL	Inner dimension	Height	Wheel diameter	Weight	Product code
kg	mm	mm	mm	kg	
300	598	157	75	9,5	TYSIALU

SUMP PALLETS

- for storing 200 l drums
- fork holes for safe transportation
- hot dip galvanized grate



Volume	Drum	Height	Width	Depth	Weight	Product code
l	qty	mm	mm	mm	kg	
66	1	435	865	865	60	VALUALLAS200
132	2	435	1345	865	75	VALUALLAS400
264	4	435	1345	1255	120	VALUALLAS800

Delivery time 4-5 weeks.

LIFTING BEAMS

- available in multiple different types according to customers needs
- lifting beam types A and B as standard
- can be equipped with shackles and different types of hooks
- paint coated
- all beams delivered in 3-5 weeks

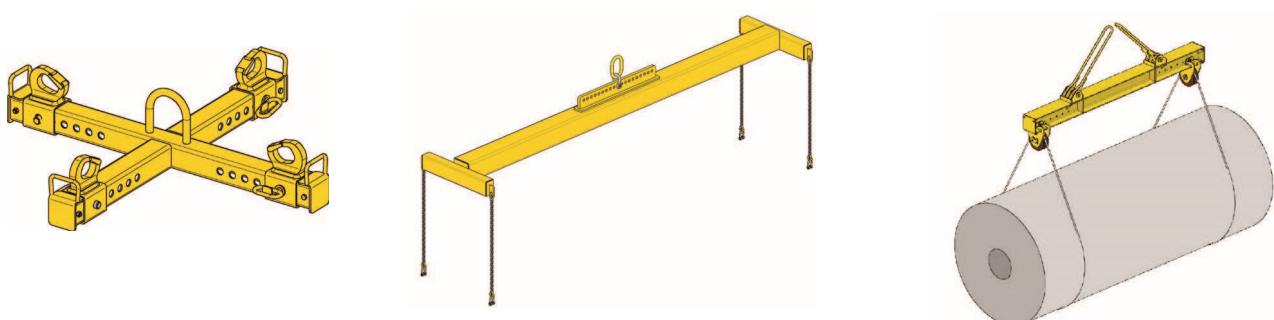
MODEL A



MODEL B



SPECIAL TYPE LIFTING BEAMS

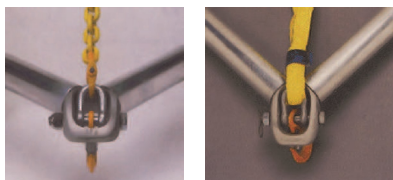


ALUMINIUM LIFTING FRAMES

- collapsible aluminium lifting frame
- can be stored in a small space when dismantled
- easy and quick to assemble
- perfect for e.g. lifting boats
- the frame is also available as a plain beam model without hooks and roundsling

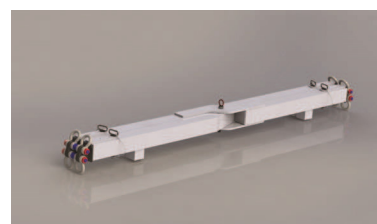
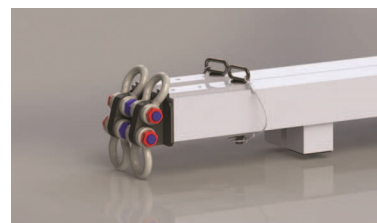
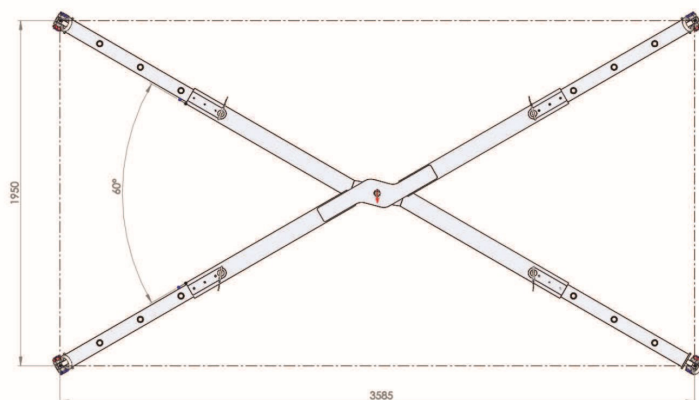
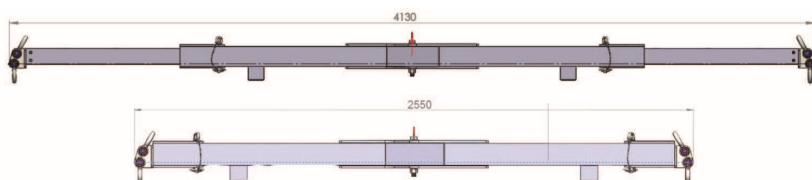
Size m	WLL kg	Lifting angle	Height m	Sling length m	Weight kg	Product code
3,0 x 3,0	7000	110	1,5	2,5	42	NOKE733AL
3,0 x 2,4	7000	98	1,7	2,5	38	NOKE7324AL
2,4 x 2,4	7000	82	2,0	2,5	35	NOKE72424AL

Delivery time 1-2 weeks.



4-LEG TELESCOPIC LIFTING BEAM

- 4-leg collapsible lifting beam
- material aluminium
- can be equipped with shackles
- equipped with standing legs so the beam can be extended easily on the ground
- EN 13155



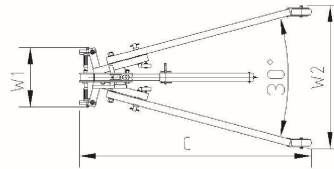
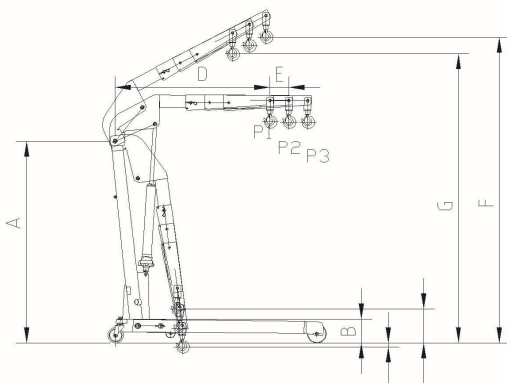
WLL kg	Width min. m	Width max. m	Product code
10000	2,5	4,0	NOSPXALU10

FOLDABLE BEAM LIFTS

- jib can be adjusted longitudinally
- chrome coated cylinders
- equipped with overload protection
- collapsible, can be transported e.g. in a van
- paint coated

Max. load at different jib lengths kg			Dimensions mm										Weight kg	Product code
P1	P2	P3	A	B	C	D	E	F	G	W1	W2	kg		
500	425	350	1410	165	1510	895	102	2120	1960	-	970	75	PUNOS500PROKT	
1000	800	700	1597	90	1749	1231	150	2450	2320	460	1100	115	PUNOS1000PROKT	
2000	1700	1500	1626	208	1911	1293	150	2490	2330	590	1170	165	PUNOS2000PROKT	

NEW



Beam is equipped with an adjustable jib extension.



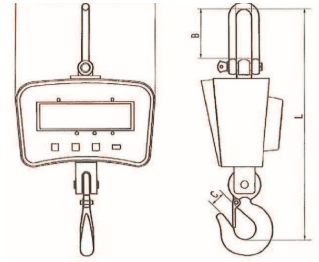
Lowering clutch is equipped with a function that automatically stops lowering if user lifts one's hand off the lowering clutch.



SMALL CRANE SCALES



- built-in rechargeable batteries with an operation time of approx. 100 hours at one charge
- equipped with wireless remote control with reset, hold, tare, unit change and switch off
- clear LCD screen
- precision class OIML III and protection class IP54
- delivery does not contain an individual calibration certificate

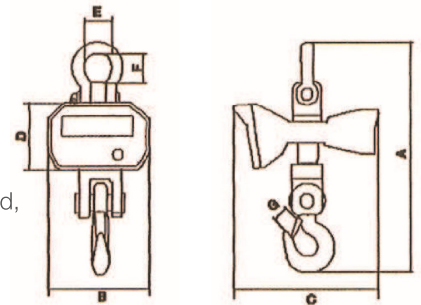


Max. load kg	Display accuracy kg	A mm	B mm	C mm	L mm	Weight approx. kg	Product code
1000	0,50	25	75	20	335	4,2	KV1ABT

CRANE SCALES



- also available for bigger loads
- battery charger included
- operating time at one charge is approx. 100 hours
- equipped with wireless remote control with reset, hold, tare, unit change and switch off
- precision class OIML III and protection class IP54
- delivery does not contain an individual calibration certificate



Max. load kg	Display accuracy kg	A mm	B mm	C mm	D mm	E mm	F mm	G mm	Weight n. kg	Product code
3000	1,00	550	230	340	150	60	80	40	17,0	KV3ABT
5000	2,00	690	230	340	150	100	120	50	25,0	KV5ABT
10000	5,00	820	230	340	150	100	120	55	34,0	KV10ABT
20000	10,00	1120	230	360	155	140	220	90	67,0	KV20ABT

DIGITAL LOAD INDICATORS



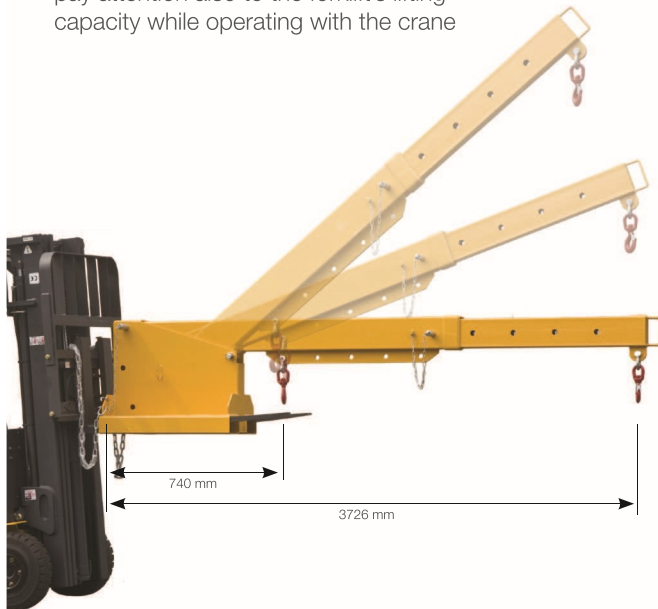
- can be used normally as a crane scale or for example to measure pulling power
- LCD screen
- uses AA batteries, operating time is over 200 h
- functions: reset, taring, hold, automatic power off, battery life display, overload warning, switching measurement unit
- can be equipped with shackle, hook etc.
- delivery does not contain an individual calibration certificate
- safety factor 4 : 1

Max. load kg	Display accuracy kg	Material	Width mm	Height mm	Depth mm	Hole diameter mm	Weight kg	Product code
3000	1,00	Aluminium	90	230	30	27	1,7	KV3KI
5000	2,00	Stainless steel	90	230	30	32	3,4	KV5KI
10000	5,00	Stainless steel	90	280	48	32	6,7	KV10KI
20000	10,00	Alloy steel	90	350	60	50	9,0	KV20KI

ADJUSTABLE CRANE

- enables the use of a forklift as a crane
- three different lifting angles
- quick attachment to forklift's forks
- location of the hook is adjustable between 980 – 3700 mm
- two rotating latch hooks as standard
- pay attention also to the forklift's lifting capacity while operating with the crane

WLL kg	Forklift's fork max. size mm	Product code
596 - 3217	80 x 160	TRUKPU3000

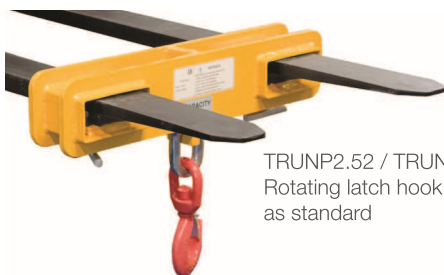


WLL

Hook location, beam folded up mm	690	897	1105	1312	1520	1727	1935	2150	2357	2565	2772	2980	3187	3395
WLL kg	3217	2476	2009	1691	1460	1285	1147	1033	942	865	800	745	695	654

Hook location, beam straightened mm	740	969	1198	1427	1656	1885	2114	2352	2581	2810	3039	3268	3497	3726
WLL kg	3000	2291	1853	1556	1341	1178	1050	944	860	790	730	679	635	596

LIFTING ADAPTERS



TRUNP2.52 / TRUNP5
Rotating latch hook
as standard



TRUNP15SS

Lifting adapters enable the use of a forklift as a crane. All models can be quickly attached to the forklift's forks.

WLL kg	Forklift's fork max. width x height mm	Weight kg	Product code
2500	145 x 55	28	TRUNP2.52
5000	190 x 90	49	TRUNP5
1500	100 x 50		TRUNP15SS

MAN BASKET



You will find safety harnesses and ropes for safety cage working on product group 21.

- quick attachment to forklift's forks
- base size approx. 1100 + 1000 mm
- lockings to forklift's forks
- forklift's lifting capacity must always be checked before lifting!

Capacity kg	Base size mm	Weight kg	Product code
400	1100 + 1000	140	TRUHEKO

EXTENSION FORKS

- easy and quick way to increase the length of a forklift's forks
- extremely strong and solid structure
- structure prevents the extension forks from sliding



Length mm	Forklift's fork max. size mm	Product code (1 pc)
1800	40x100	TRUJA401001800
1800	45X120	TRUJA451201800
1800	50X150	TRUJA501501800
2000	40X100	TRUJA401002000
2000	45X120	TRUJA451202000
2000	50X150	TRUJA501502000
2200	40X100	TRUJA401002200
2200	50X125	TRUJA501252200
2200	60X150	TRUJA601502200
2400	50X125	TRUJA501252400

Delivery time 3-5 days.

Note!

The original forks of the forklift must be at least 60 % of the length of the extension forks!

SNOW CHAINS FOR FORKLIFTS

- driving is smooth due to the compactness of the chain
- chain is easy and quick to assemble
- chains on the tract are square-shaped without spikes, thus making it possible to drive also indoors

MODEL 1

Tyre size	Material strength mm	Weight kg/pair	Product code (1 pc)
12.00-20	7,0	56,0	EOTRUCK1200207
250-15	5,7	23,0	EOTRUCK25015
250/70 -12, 27x10 -12, 28x9 -15, 8.15 -15	5,7	20,0	EOTRUCK28915
250/70 -12, 27x10 -12, 28x9 -15, 8.15 -15	7,0	26,0	EOTRUCK289157
300-15,32X12.1-15,12-16.5, 33/12.5-16	5,7	26,0	EOTRUCK30015
300-15,32X12.1-15,12-16.5	7,0	38,0	EOTRUCK300157
6.50-10	5,7	15,0	EOTRUCK65010
7.00-12	5,7	17,0	EOTRUCK70012
7.00-12	7,0	23,0	EOTRUCK700127
7.00-15,205-16,215/80-16	5,7	20,0	EOTRUCK70016
8.25-15	5,7	20,0	EOTRUCK82515
8.25-15, 245/70-19.5	7,0	35,0	EOTRUCK825157

Delivery time 3-5 days.



MODEL 2

Width	Rim	Weight kg/pair	Product code (1 pc)
7.00-	12"	28,0	OL93587011
8.25-	15"	39,0	OL93588216
28X9-	15"	32,0	OL93582890
27x10-	12"	31,0	OL93580271
7.00-	15"	33,0	OL93580516
235/75-	17,5"	39,0	OL93582317
10-	16,5"	37,0	OL93581015
23x9	10"	24,0	OL93580231
28x12.5-	15"	37,0	OL93582815
31x15.50-	15"	44,0	OL93580316
23x10.5-	12"	25,0	OL93580222

Delivery time 3-5 days.

ASK ALSO FOR OTHER SIZES AND SNOW CHAINS FOR TRUCKS, TRACTORS AND AGRICULTURAL MACHINES!